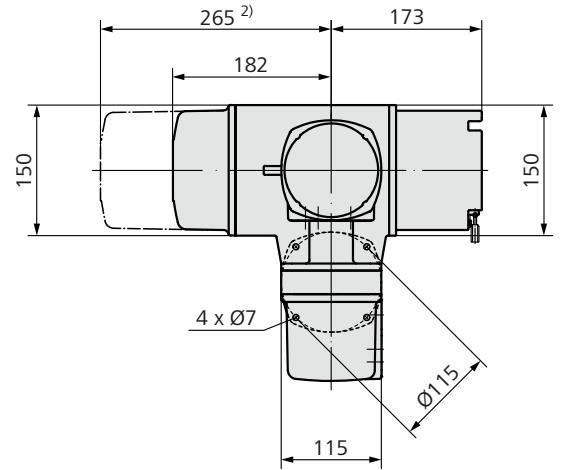
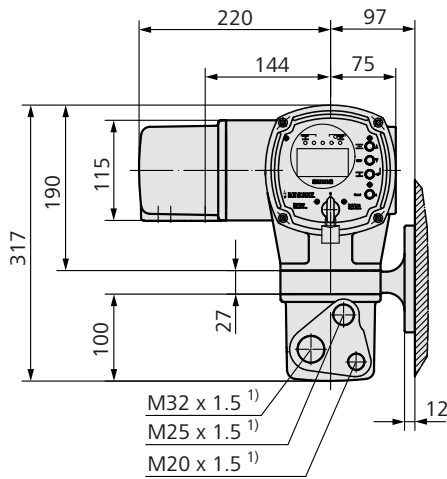
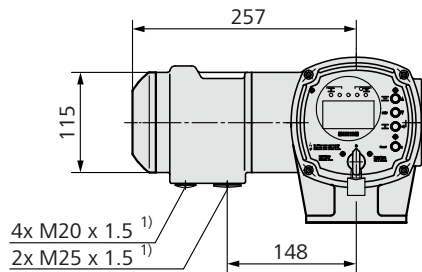


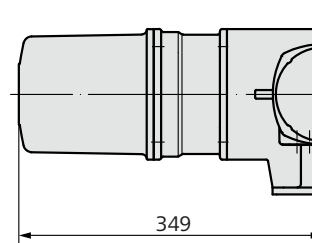
Dimensions AC 01.2 Wall bracket



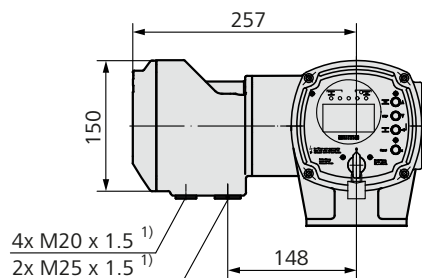
Version with fieldbus



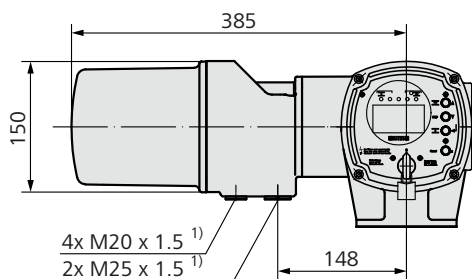
Version with thermal overload relay



Version with fieldbus FOC



Version with Modbus TCP/IP



- 1) Thread for steel conduit subject to explicit order.
2) High housing cover only in combination with the options:
- Switch gear A3
- Low temperature version with heating system
- DC versions 24 V DC to 220 V DC
- Mains voltage tolerance -30 %
- Auxiliary voltage output 115 V AC

We reserve the right to alter data according to improvements made. Previous documents become invalid with the issue of this document.